



DESIGN & ENGINEERING

- STRUCTURAL CALCULATION
- NAVAL ARCHITECTURE CALCULATIONS
 - STABILITY CALCULATIONS
 - DYNAMIC CALCULATIONS
- NAVAL DESIGN
 - STRUCTURAL ELEMENT
 - P&ID DRAWINGS
 - PIPING DESIGN AND ROUTING
 - EQUIPMENT SELECTION AND OPTIMIZATION (HVAC, Electricity, Outfitting, etc)
 - 3D Scanning
- DETAIL ENGINEERING
 - PRODUCTION DRAWINGS
 - ISOMETRICS
 - FOUNDATIONS
 - PIPING SUPPORT
- OWNER ASSISTANCE
 - PREPARATION OF SPECIFICATIONS
 - TECHNICAL ADVICE IN COMPLEX PROJECTS
- COORDINATION WITH EXTERNAL ENGINEERING COMPANIES



ASTANDER
Ship Repairs & Conversions
DESIGN & ENGINEERING

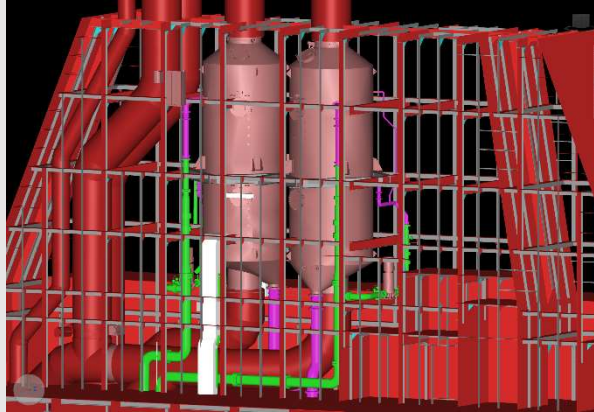
www.aster.es



DESIGN & ENGINEERING

RETROFITS

- LENTHENINGS
- CONVERSIONS
- SCRUBBERS
- BWTS



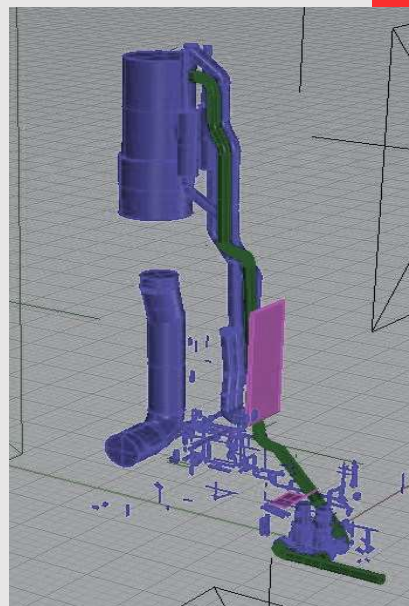
SPECIAL PROJECTS

- SUPPORT FOR EQUIPMENT INSTALLATION
- STRUCTURAL REINFORCEMENT STUDIES
- REARRANGEMENT AND MODIFICATION OF SYSTEMS AND EQUIPMENT



OTHER

- TECHNICAL SPECIFICATIONS
- 3D SCANNING
- RIGID SAIL INSTALLATION
- OFFSHORE PROJECTS



ASTANDER